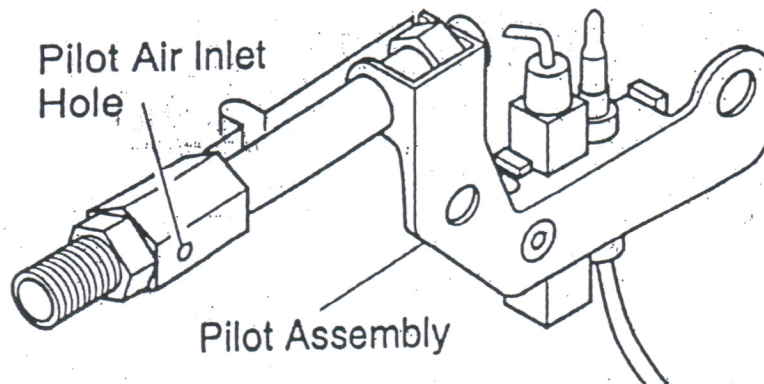


VENT FREE PILOT ASSEMBLY CLEANING

A YELLOW TIP ON THE PILOT FLAME INDICATES DUST AND DIRT IN THE PILOT ASSEMBLY. THERE IS A SMALL HOLE ABOUT 2 INCHES FROM WHERE THE PILOT FLAME COMES OUT OF THE PILOT ASSEMBLY.

WITH THE UNIT OFF, LIGHTLY BLOW AIR THROUGH THE AIR INLET HOLE. YOU MAY BLOW THROUGH A DRINKING STRAW IF COMPRESSED AIR IS NOT AVAILABLE.

HEATER MAY NEED MORE FREQUENT CLEANING DUE TO EXCESSIVE LINT FROM CARPETING, BEDDING MATERIAL, PET HAIR ETC.



Gas Logs • Glass Doors • Mantels • Accessories
 Barbecues • Cultured Stone • Wood Stoves • Marble

Pre-Fab Fireplace Specialists

Visit our showroom

1-696	N Coolidge	(exit 14)
9 Mile		American Fireplace ★
8 Mile		Northend

Mon. - Fri. 9:00 - 5:00 • Sat. 10:00 - 3:00