

— Serving the Building Industry —

TEN FOOT RULE SUMMARY

The minimum chimney height above the roof and/or to adjacent walls and buildings is specified by all major building codes.

If the horizontal distance from the peak of the roof is less than 10', the top of the chimney must be at least 2' above the peak of the roof.

If the horizontal distance from the chimney edge to the peak of the roof is more than 10', a chimney height reference point is established on the roof surface 10' horizontally from the chimney edge. The top of the chimney must be at least 2' above this reference point. In all cases, the chimney cannot be less than 3' above the roof at the edge of the chimney.

The 2' in 10' Rule is necessary in the interest of safety but does not ensure smoke-free operation. Trees, buildings, adjoining roof lines, adverse wind conditions, etc., may require a taller chimney should the fireplace not draft properly (Figure 36).

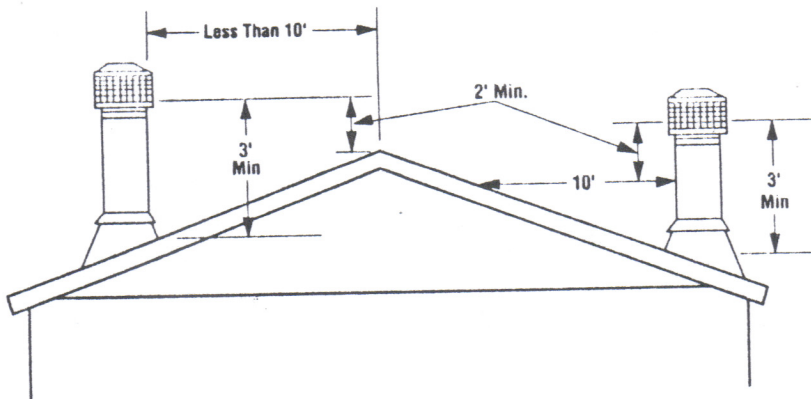
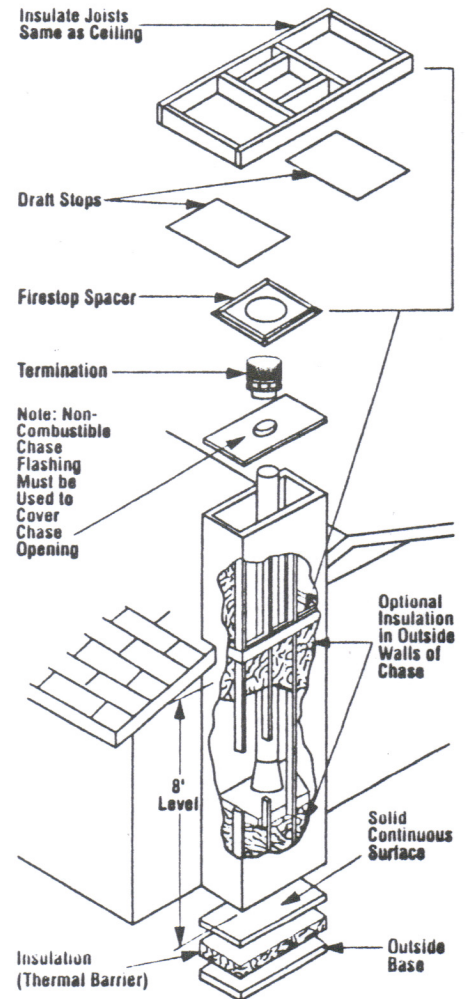


Figure 36



Gas Logs • Glass Doors • Mantels • Accessories
Barbecues • Cultured Stone • Wood Stoves • Marble

Pre-Fab Fireplace Specialists

Visit our showroom

1-696	Coolidge	(exit 14)
9 Mile		American Fireplace
8 Mile		Northend

Mon. - Fri. 7:30 - 5:00 • Sat. 8:30 - 3:00